

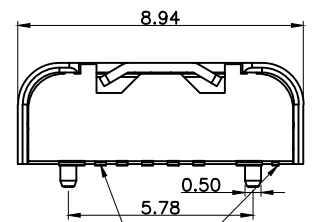
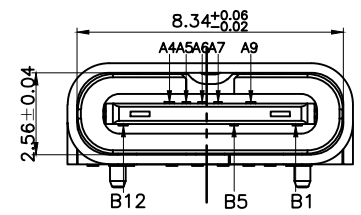
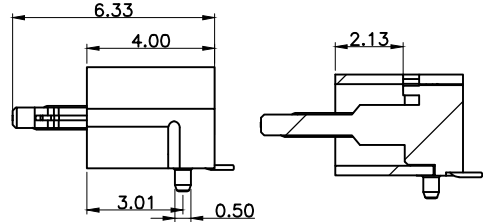
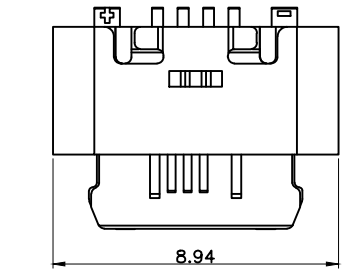


| REV | DESCRIPTION | DATE | APPROVED |
|-----|-------------|------------|----------|
| A | 新板发行 | 2023.05.05 | HHM |

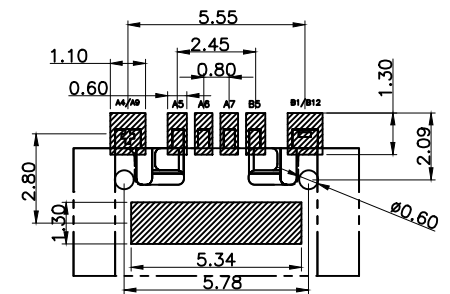
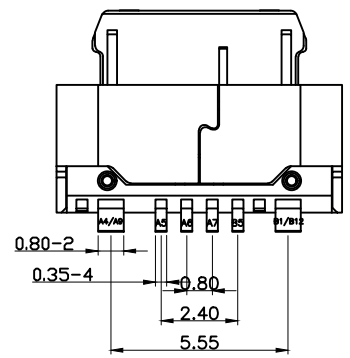
备注:
 1.MATERIAL SPECIFICATION:
 1.材料规格:
 1-1.HOUSING:HIGH TEMPERATURE RESISTANT PLASTIC,UL94 V-0.
 1-1.胶芯材料: 高温塑胶, 防火等级UL94 V-0
 1-2.TERMINAL: COPPER ALLOY
 1-2.端子材料: 铜合金
 1-3.FRONT SHELL: STAINLESS STEEL
 1-3.外壳材料: 不锈钢
 1-4.MID PLATE: STAINLESS STEEL
 1-4.中夹片: 不锈钢
 2.PLATING SPECIFICATION:
 2.电镀规格:
 2-1.TERMINAL:
 2-1.端子:
 Ni 30u" MIN. UNDER PLATED OVER ALL.
 镀镍底 30u" MIN.
 Au PLATED Golden Flash OVER Ni
 表面刷金 Golden Flash
 2-2.FRONT SHELL:
 2-2.外壳:
 Ni 30u" MIN. PLATED OVER ALL.
 镀镍底 30u" MIN.
 3.MECHANICAL PERFORMANCE,
 3.机械性能,
 3-1.INSERTION FORCE: 0.5~2.0kgf.
 3-1.插入力: 0.5~2.0kgf.
 3-2.REMOVAL FORCE: 0.6kgf~2.0kgf.
 3-2.拔出力: 0.6kgf~2.0kgf.
 3-3.DURABILITY: 10000 CYCLES.
 3-3.插拔寿命: 10000次.
 4.ELECTRICAL PERFORMANCE,
 4.电气性能,
 4-1. VOLTAGE RATING: 5.0V DC/AC
 4-1. 额定电压: 5.0V DC/AC
 CURRENT RATING: 2.0A
 额定电流: 2.0A
 4-2. LLCR: 50mΩ/PIN MAX.
 4-2. 接触阻抗: 50mΩ/PIN MAX.
 4-3.INSULATION RESISTANCE: 100MΩ MIN
 4-3. 绝缘阻抗: 100MΩ MIN
 4-4.DIELECTRIC WITHSTAND VOLTAGE,AC 100V FOR 1 MINUTE.
 4-4. 耐电压: AC 100V FOR 1 MINUTE.
 5. ENVIRONMENTAL PERFORMANCE:
 5. 环境特性:
 OPERATING TEMPERATURE: -25°C~+85°C.
 工作温度: -25°C~+85°C.

| PIN NUMBER | SIGNAL NAME |
|------------|-------------|
| B12 | GND |
| B5 | CC2 |
| B1 | GND |

| PIN NUMBER | SIGNAL NAME |
|------------|----------------|
| A1 | GND |
| A4 | VBUS |
| A5 | CC1 |
| A6 | Dp1 |
| A7 | Dn1 |
| A8 | SBU1 |
| A9 | VBUS |
| A12 | GND |



注意隐藏脚不可连锡



RECOMMENDED P.C.B LAYOUT
 TOLERANCE UNSPECIFIED ±0.05mm

| CUSTOMER DRAWING | | | 铭创科技(东莞)有限公司 Mingchuang Technology (Dongguan) Co., Ltd | | |
|---|--------------|----------------------|---|---------------------|--|
| UNITS mm | SCALE 1:1 | SHEET 1 OF 1 | TITLE TYPE C母座6PIN 板上外壳SMT L=4.0 带数据 无外壳脚 有柱 | | |
| PROJECTION: | DRAW: DAP | CHECK: HWT | MAT'L SEE TABLE | FINISH SEE TABLE | |
| GENERAL TOLERANCE .000 ±0.02 .00 ±0.10 .0 ±0.20 .0 ±2° .00 ±1° | APPD: HHM | DWG. NO. A01E611A | PART NO. | SIZE A4 | |