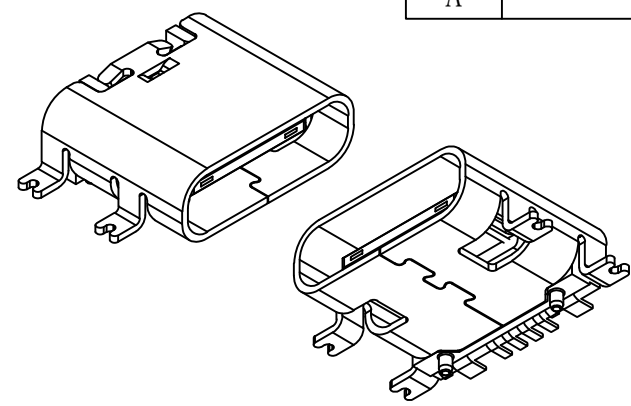
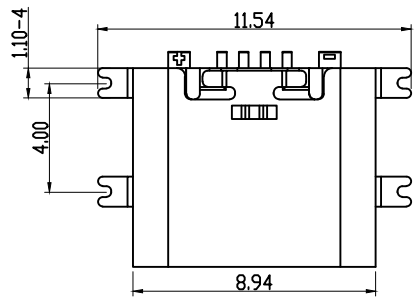


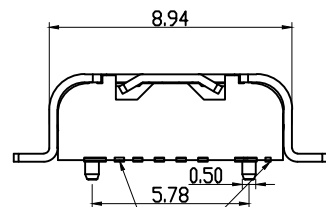
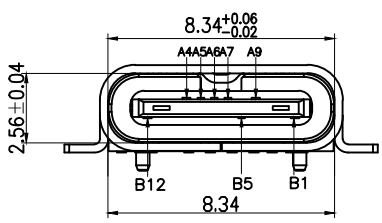


REV	DESCRIPTION	DATE	APPROVED
A	新板发行	2023.05.05	HHM

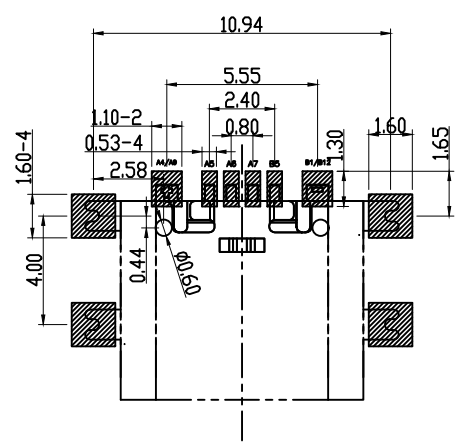
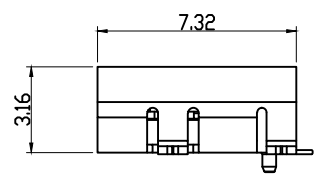
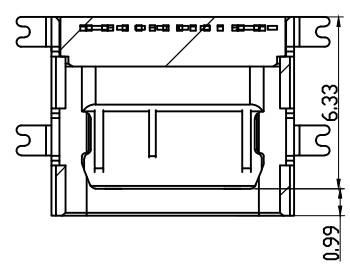


NOTE:
备注:
1. MATERIAL SPECIFICATION:
1. 材料规格:
1-1. HOUSING: HIGH TEMPERATURE RESISTANT PLASTIC, UL94 V-0.
1-1. 胶芯材料: 高温塑胶, 防火等级UL94 V-0
1-2. TERMINAL: COPPER ALLOY
1-2. 端子材料: 铜合金
1-3. FRONT SHELL: STAINLESS STEEL
1-3. 外壳材料: 不锈钢
1-4. MID PLATE: STAINLESS STEEL
1-4. 中夹片: 不锈钢
2. PLATING SPECIFICATION:
2. 电镀规格:
2-1. TERMINAL:
2-1. 端子:
Ni 50u" MIN. UNDER PLATED OVER ALL.
镀镍底 50u" MIN.
Au PLATED 0.5~1u" OVER Ni
表面刷金0.5~1u"
2-2. FRONT SHELL:
2-2. 外壳:
Ni 50u" MIN. PLATED OVER ALL.
镀镍底 50u" MIN.
3. MECHANICAL PERFORMANCE,
3. 机械性能,
3-1. INSERTION FORCE: 0.5~2.0kgf.
3-1. 插入力: 0.5~2.0kgf.
3-2. REMOVAL FORCE: 0.6kgf~2.0kgf.
3-2. 拔出力: 0.6kgf~2.0kgf.
3-3. DURABILITY: 10000 CYCLES.
3-3. 插拔寿命: 10000次.
4. ELECTRICAL PERFORMANCE,
4. 电气性能,
4-1. VOLTAGE RATING: 5.0V DC/AC
4-1. 额定电压: 5.0V DC/AC
CURRENT RATING: 2.0A
额定电流: 2.0A
4-2. LLCR: 50mΩ/PIN MAX.
4-2. 接触阻抗: 50mΩ/PIN MAX.
4-3. INSULATION RESISTANCE: 100MΩ MIN
4-3. 绝缘阻抗: 100MΩ MIN
4-4. DIELECTRIC WITHSTAND VOLTAGE, AC 100V FOR 1 MINUTE.
4-4. 耐电压: AC 100V FOR 1 MINUTE.
5. ENVIRONMENTAL PERFORMANCE:
5. 环境特性:
OPERATING TEMPERATURE: -25° C~+85° C.
工作温度: -25° C~+85° C.

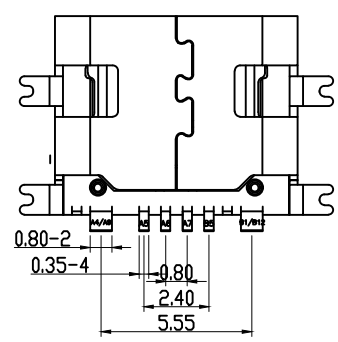
PIN NUMBER	SIGNAL NAME
A1	GND
A4	V BUS
A5	CC1
A6	Dp1
A7	Dn1
A8	SEN1
A9	V BUS
A12	GND



注意: 隐藏脚不可连锡



RECOMMENDED P.C.B. LAYOUT
TOLERANCE UNSPECIFIED ±0.05mm

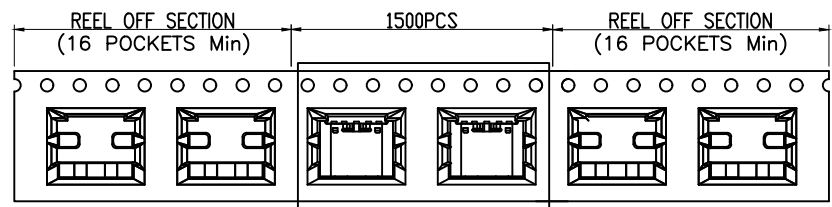


CUSTOMER DRAWING		
UNITS mm	SCALE 1:1	SHEET 1 OF 2
PROJECTION: 	DRAW: DAP	
GENERAL TOLERANCE .000 ±0.02 .00 ±0.10 .0 ±0.20 .0 ±2° .00 ±1°	CHECK: HWT	APPD: HHM

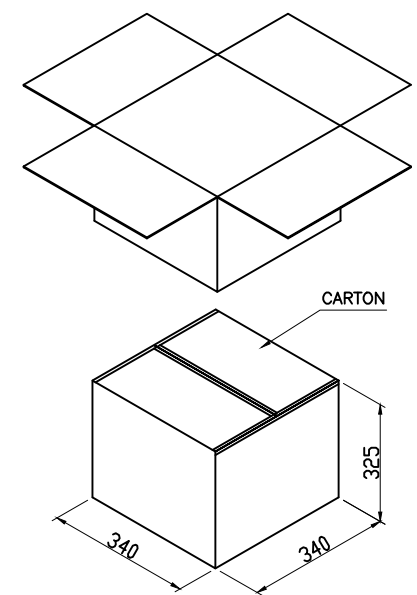
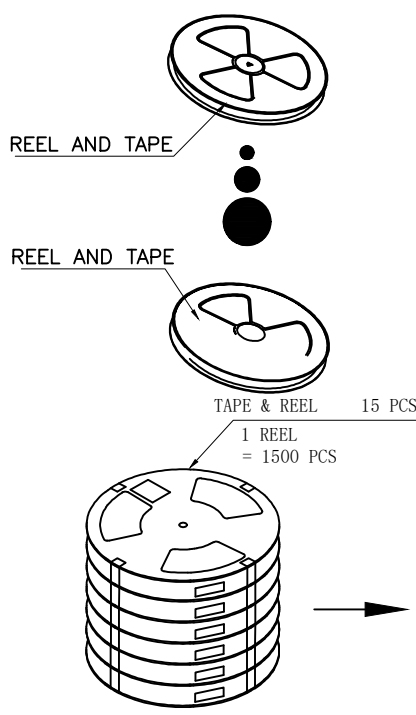
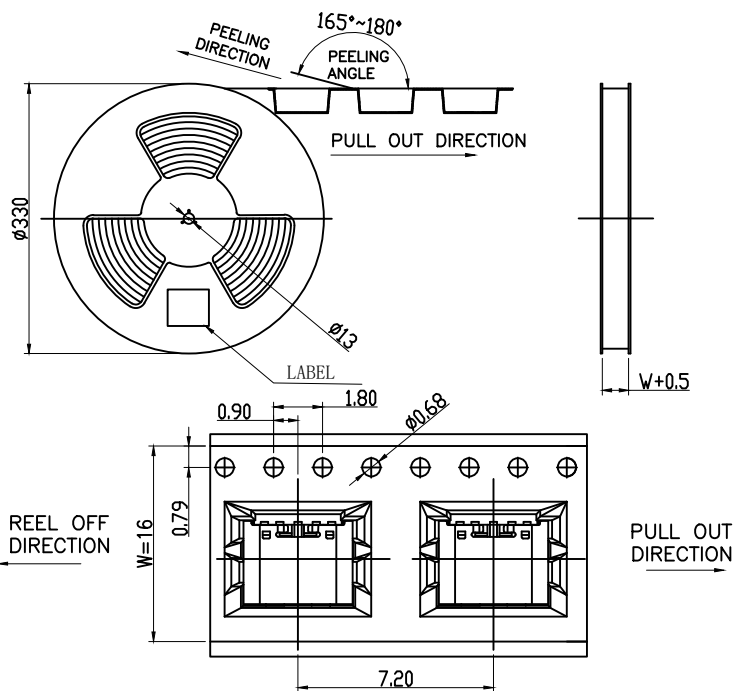
铭创科技(东莞)有限公司 Mingchuang Technology (Dongguan) Co., Ltd			
TITLE TYPE C母座6PIN 板上四脚全贴SMT L=7.35 带数据 带中夹片 有柱			
MAT'L SEE TABLE	FINISH SEE TABLE		
DWG. NO. A01E603A	PART NO.	SIZE A4	



REV	DESCRIPTION	DATE	APPROVED
A	新板发行	2023.05.05	HHM



SEE DETAIL X



	REEL	CARTON
CONNECTOR (PCS)	1500	15000

CUSTOMER DRAWING		
UNITS mm	SCALE 1:1	SHEET 2 OF 2
PROJECTION: 	DRAW: DAP	
GENERAL TOLERANCE .000 ±0.02 .00 ±0.10 .0 ±0.20 .0 ±2° .00 ±1°	CHECK: HWT	
	APPD: HHM	

铭创科技（东莞）有限公司 Mingchuang Technology (Dongguan) Co., Ltd		
TITLE TYPE C母座6PIN 板上四脚全贴SMT L=7.35 带数据 带中夹片 有柱		
MAT'L SEE TABLE	FINISH SEE TABLE	
DWG. NO. A01E603A	PART NO. _____	SIZE A4