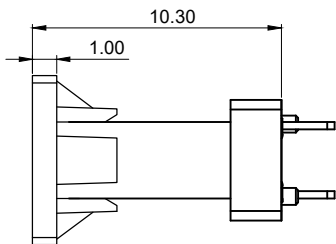
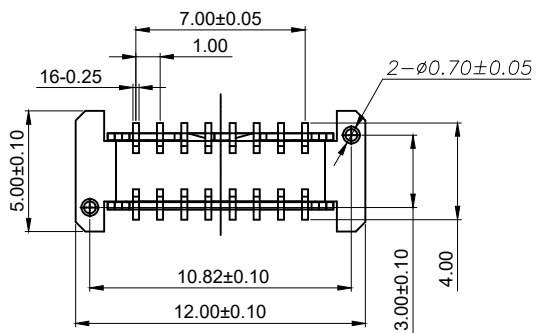


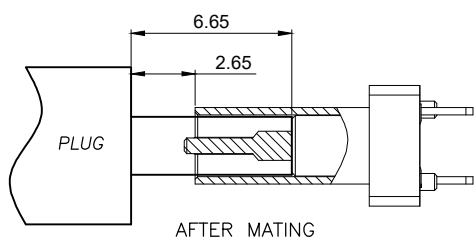
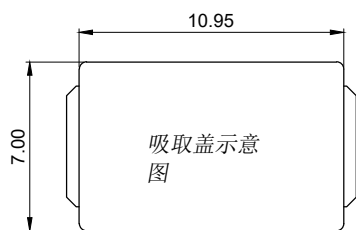
RECOMMENDED P.C.B. LAYOUT (俯视图)
TOLERANCE UNSPECIFIED ±0.05mm

SPECIFICATION:

- ELECTRICAL:
 - CURRENT RATING:5A;
 - CONTACT RESISTANCE:40mΩ Max;
 - DIELECTRIC WITHSTANDING VOLTAGE:100V AC;
 - INSULATION RESISTANCE:100 MΩ MIN;
- MECHANICAL:
 - MATING FORCE:5~20N;
 - UNMATING FORCE:8~20N;
 - DURABILITY:10000 CYCLES;6~20N AFTER DURABILITY TEST;
- MATERIAL:
 - HOUSING&MOLDING:BLACK LCP UL94V-0;
 - TERMINAL:C7025 T=0.15mm;
 - SHELL:SUS304 T=0.30mm;
 - MID PLATE:SUS304 T=0.15mm;
- PLATING SPECIFICATION:
 - TERMINAL:CONTACT POINT GOLD PLATED 3u" MIN
PIN WELDING AREA GOLD PLATED 1u" MIN.
 - SHELL:PLATED Ni 50u" MIN(Salt spray 48H)
- ELECTROPLATED PRODUCTS NEED TO UNDERGO TIN ADHESION TESTING: THE TIN ADHESION AREA SHOULD REACH OVER 95%.
- SMT REFLOW SOLDERING (PEAK VALUE 260 °C ± 5 ° C) SHALL BE FREE OF BLISTERING, GLUE MELTING AND POOR COLOR CHANGE (DEFORMATION WITHIN TOLERANCE)
- OPERATING TEMPERATURE: -40°C~+85°C

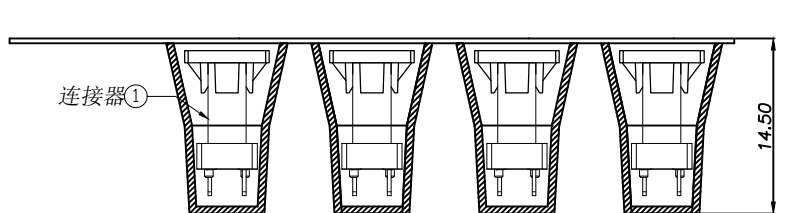
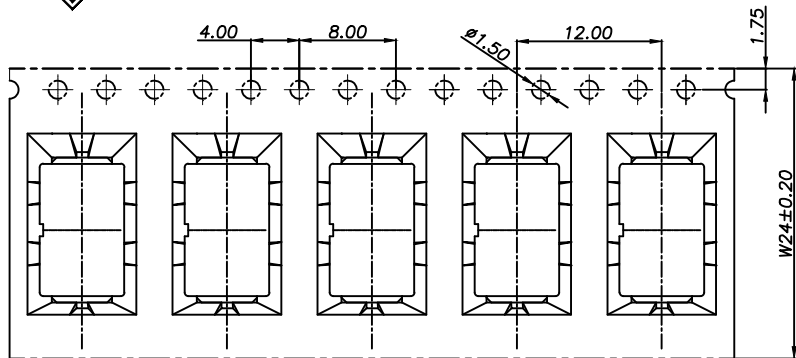


| | | | |
|-----|-------------|-----|-------------|
| A1 | GND | B12 | GND |
| A4 | VBUS | B9 | VBUS |
| A5 | CC1 | B8 | SBU2 |
| A6 | D+ | B7 | D- |
| A7 | D- | B6 | D+ |
| A8 | SBU1 | B5 | CC2 |
| A9 | VBUS | B4 | VBUS |
| A12 | GND | B1 | GND |
| PIN | SIGNAL NAME | PIN | SIGNAL NAME |



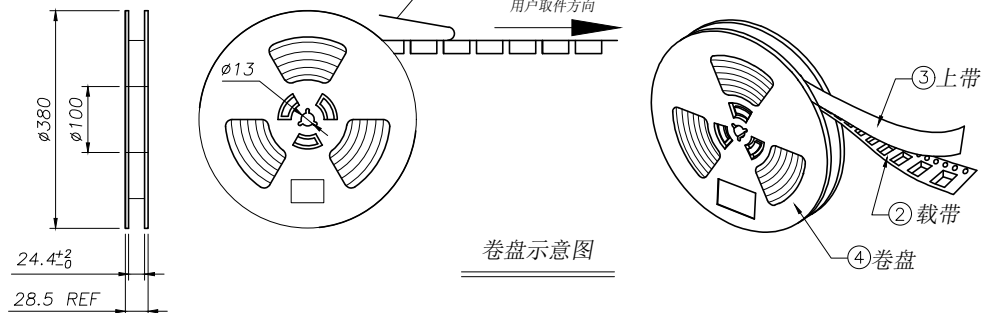
| CUSTOMER DRAWING | | |
|---|---------------|-----------------|
| UNITS mm | SCALE 1:1 | SHEET 1 OF 2 |
| PROJECTION: | DRAW: DAP | |
| GENERAL TOLERANCE X. ±0.25 X.x ±0.20 X.xx ±0.15 X.xxx ±0.10 ANGLES ±2° | CHECK: HWT | APPD: HHM |

| | | |
|---|---------------------|------------|
| 铭创科技 (东莞) 有限公司 Mingchuang Technology (Dongguan) Co., Ltd | | |
| TITLE TYPE C母座16PIN 立式四脚插板SMT L=9.3 A款 | | |
| MAT'L SEE TABLE | FINISH SEE TABLE | |
| DWG. NO. A031601A | PART NO. | SIZE A4 |



产品入载带示意图

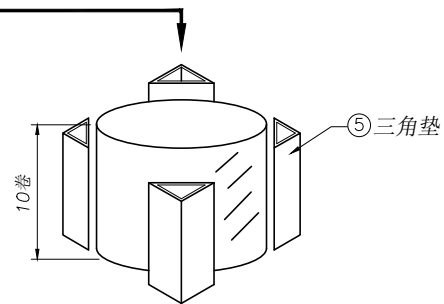
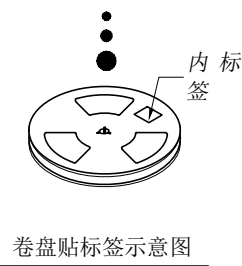
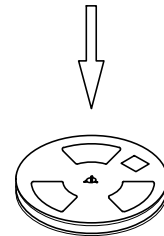
剥离角度: 165°~180°
剥离力: 40gf~120gf
用户取件方向



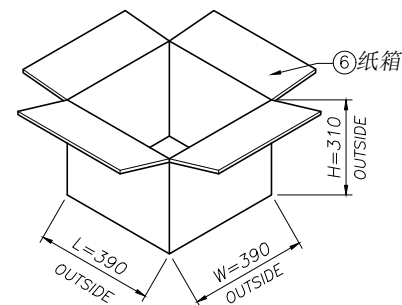
卷盘示意图

| REV | DESCRIPTION | DATE | APPROVED |
|-----|-------------|------|----------|
|-----|-------------|------|----------|

包装示意图



10盘产品叠层示意图



技术要求:

1. 载带首尾各留出 14PCS 空格 不装产品;
2. 每穴放置 1PCS 产品, 每卷装 500PCS 产品, 放置方式如图所示;
3. 将包装好的产品;每盘必需贴上内标签;将贴好内标签的产品每 10 盘堆叠.
4. 在纸箱四角垫上 4 个三角垫, 然后把装好产品的卷盘放入纸箱中, 最后用胶带封箱;
(如客户有要求, 请按客户要求包装出货)
5. 上带与载带的剥离力: 40gf~120gf, 跳动量在 30gf 内;
(剥离角度: 165°~180°, 剥离速度: 250~300mm/min)
6. 产品符合 RoHS 环保标准要求.

| CUSTOMER DRAWING | | | 铭创科技 (东莞) 有限公司 Mingchuang Technology (Dongguan) Co., Ltd | | |
|---|--------------|-----------------|---|----------|------------|
| UNITS mm | SCALE 1:1 | SHEET 1 OF 2 | TITLE TYPE C 母座 16PIN 立式四脚插板 SMT L=9.3 A 款 | | |
| PROJECTION: | | DRAW: DAP | MAT'L SEE TABLE | | |
| GENERAL TOLERANCE X. ±0.25 X.x ±0.20 X.xx ±0.15 X.xxx ±0.10 ANGLES ±2° | | CHECK: HWT | FINISH SEE TABLE | | |
| | | APPD: HHM | DWG. NO. A031601A | PART NO. | SIZE A4 |

| | | | | |
|----|------|-----------|----------------------------|----------|
| 06 | 纸箱 | B-05-0012 | 390mm*390mm*310mm | 1 PCS |
| 05 | 三角垫 | / | 300mm*260mm*7mm | 4 PCS |
| 04 | 卷盘 | / | D=380mm, d=100mm, H=28.5mm | 10 PCS |
| 03 | 上带 | / | W=20.7mm, T=0.05mm | 6336 mm |
| 02 | 载带 | B-03-0011 | W=24mm, T=0.50mm, P=12.0mm | 6336 mm |
| 01 | 连接器 | A031601A | 16PIN, SMT | 5000 PCS |
| 序号 | 物料名称 | 物料编号 | 规格 | 描述 |