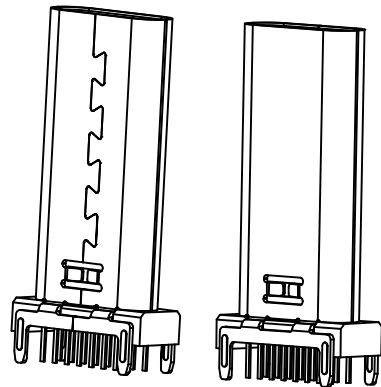
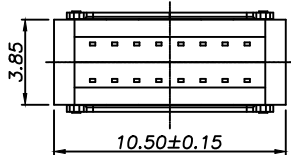
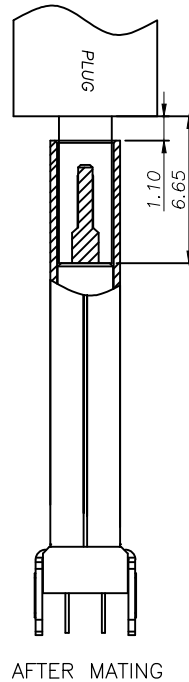
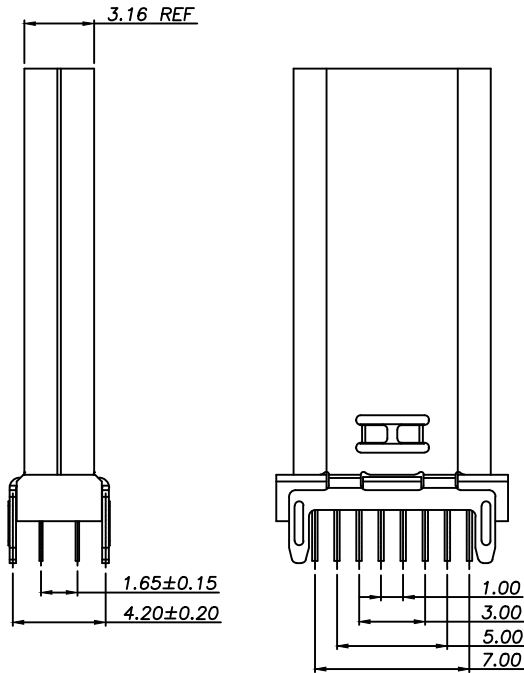
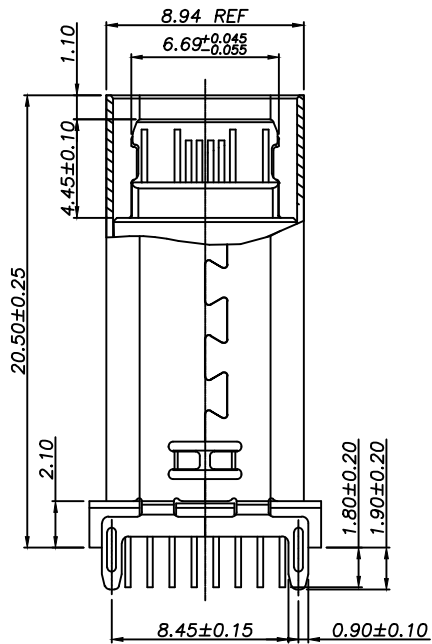


RECOMMENDED P.C.B. LAYOUT (俯视图)  
TOLERANCE UNSPECIFIED ±0.05mm



REV	DESCRIPTION	DATE	APPROVED
-----	-------------	------	----------

**SPECIFICATION:**

- ELECTRICAL:**
  - CURRENT RATING:5A;
  - CONTACT RESISTANCE:40mΩ Max;
  - DIELECTRIC WITHSTANDING VOLTAGE:100V AC;
  - INSULATION RESISTANCE:100 MΩ MIN;
- MECHANICAL;**
  - MATING FORCE:5~20N;
  - UNMATING FORCE:8~20N;
  - DURABILITY:10000 CYCLES;6~20N AFTER DURABILITY TEST;
- MATERIAL:**
  - HOUSING&MOLDING:BLACK LCP UL94V-0;
  - TERMINAL:C7025 T=0.15mm;
  - SHELL:SUS304 T=0.30mm;
  - MID PLATE:SUS304 T=0.15mm;
- PLATING SPECIFICATION:**
  - TERMINAL:CONTACT POINT GOLD PLATED 3u" Min  
PIN WELDING AREA GOLD PLATED 1u" Min.
  - NI 40u" Min. UNDER PLATED OVER ALL.
  - SHELL:PLATED Ni 50u" MIN(Salt spray 48H)
- ELECTROPLATED PRODUCTS NEED TO UNDERGO TIN ADHESION TESTING: THE TIN ADHESION AREA SHOULD REACH OVER 95%.**
- SMT REFLOW SOLDERING (PEAK VALUE 260 °C ± 5 ° C) SHALL BE FREE OF BLISTERING, GLUE MELTING AND POOR COLOR CHANGE (DEFORMATION WITHIN TOLERANCE)**
- OPERATING TEMPERATURE: -40°C~+85°C**

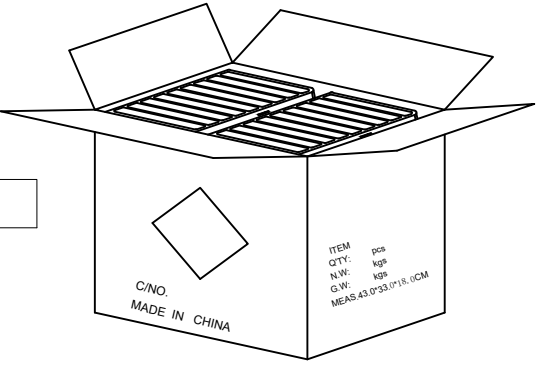
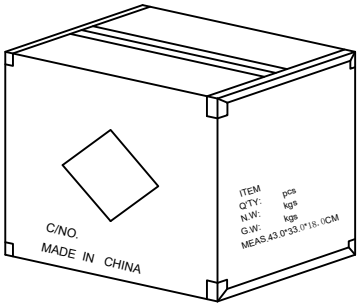
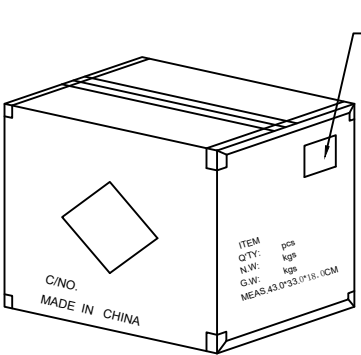
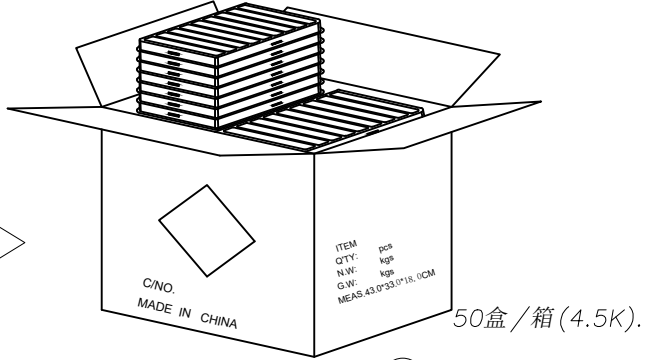
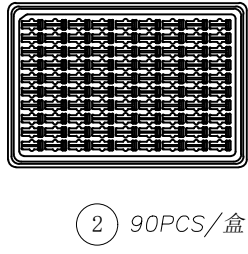
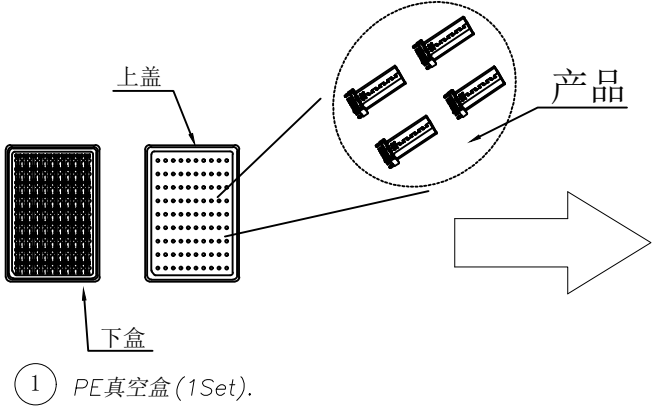
A1	GND	B12	GND
A4	VBUS	B9	VBUS
A5	CC1	B8	SBU2
A6	D+	B7	Dn2
A7	D-	B6	Dp2
A8	SBU1	B5	CC2
A9	VBUS	B4	VBUS
A12	GND	B1	GND
PIN	SIGNAL NAME	PIN	SIGNAL NAME

CUSTOMER DRAWING		
UNITS mm	SCALE 1:1	SHEET 1 OF 2
PROJECTION: 	DRAW: DAP	
GENERAL TOLERANCE X. ±0.25 X.x ±0.20 X.xx ±0.15 X.xxx ±0.10 ANGLES ±2°	CHECK: HWT	APPD: HHM

<b>铭创科技 (东莞) 有限公司</b> Mingchuang Technology (Dongguan) Co., Ltd		
TITLE TYPE C母座16PIN 立式四脚插板DIP L=20.5 A款		
MAT'L SEE TABLE	FINISH SEE TABLE	
DWG. NO. A031612A	PART NO.	SIZE A4



REV	DESCRIPTION	DATE	APPROVED



04	纸箱	B-05-0004	430mm*330mm*180mm	1 PCS
03	上盖	B-01-0016	PET透明 TO.3*L305*W205*H11mm	50 PCS
02	下盒	B-01-0015	PET透明 TO.3*L305*W205*H11mm	50 PCS
01	连接器	A031612A	16PIN, DIP	4500 PCS
序号	物料名称	物料编号	规格	描述

CUSTOMER DRAWING		
UNITS mm	SCALE 1:1	SHEET 1 OF 2
PROJECTION: 	DRAW: DAP	
GENERAL TOLERANCE X. ±0.25 X.x ±0.20 X.xx ±0.15 X.xxx ±0.10 ANGLES ±2°	CHECK: HWT	
	APPD: HHM	

铭创科技(东莞)有限公司 Mingchuang Technology (Dongguan) Co., Ltd		
TITLE TYPE C母座16PIN 立式四脚插板DIP L=20.5 A款		
MAT'L SEE TABLE	FINISH SEE TABLE	
DWG. NO. A031612A	PART NO. _____	SIZE A4

1

2

3

4

5

6