



REV	DESCRIPTION	DATE	APPROVED

SPECIFICATION:

1. ELECTRICAL:

- 1.1 CURRENT RATING:5A;
- 1.2 CONTACT RESISTANCE:40mΩ Max;
- 1.3 DIELECTRIC WITHSTANDING VOLTAGE:100V AC;
- 1.4 INSULATION RESISTANCE:100 MΩ MIN;

2. MECHANICAL:

- 2.1 MATING FORCE:5~20N;
- 2.2 UNMATING FORCE:8~20N;
- 2.3 DURABILITY:10000 CYCLES;6~20N AFTER DURABILITY TEST;

3. MATERIAL:

- 3.1 HOUSING&MOLDING:PA9T BLACK UL94V-0;
- 3.2 TERMINAL:C7025 T=0.15mm;
- 3.3 SHELL:SUS304 T=0.30mm;
- 3.4 MID PLATE:SUS304 T=0.20mm;

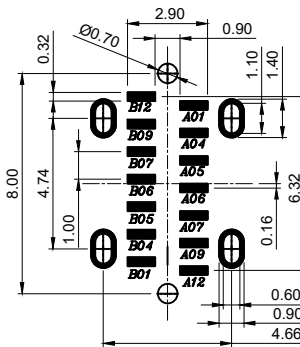
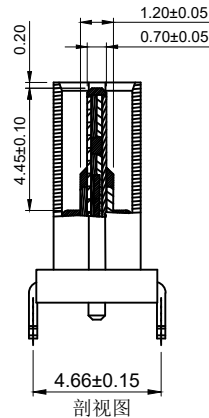
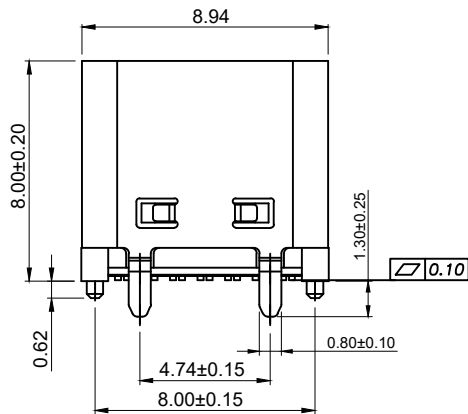
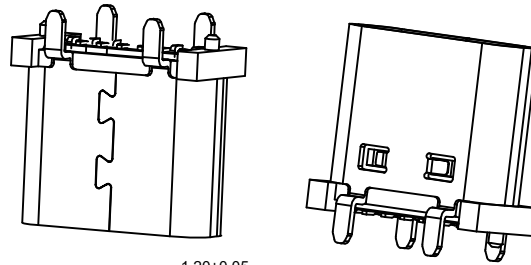
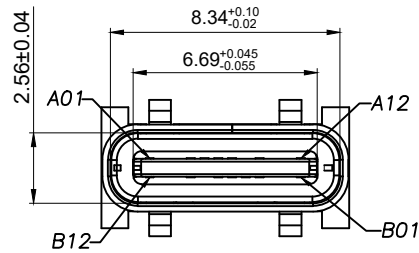
4. PLATING SPECIFICATION:

- 4.1 TERMINAL:CONTACT POINT GOLD PLATED 3u "Min
PIN WELDING AREA GOLD PLATED 1u" Min.
- 4.2 NI 40u" Min. UNDER PLATED OVER ALL.
- 4.3 SHELL:PLATED Ni 50u" Min(Salt spray 48H)

5. ELECTROPLATED PRODUCTS NEED TO UNDERGO TIN ADHESION TESTING: THE TIN ADHESION AREA SHOULD REACH OVER 95%.

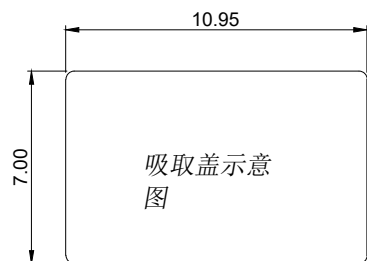
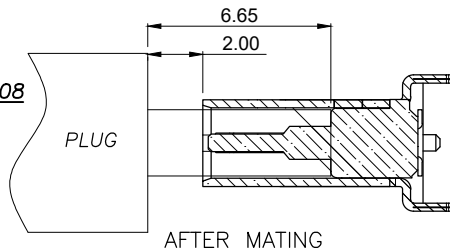
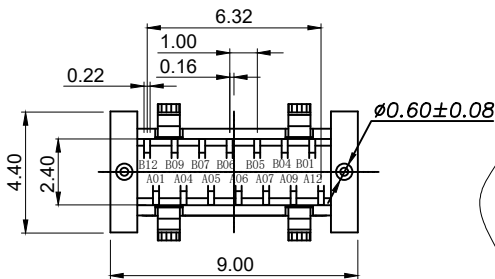
6. SMT REFLOW SOLDERING (PEAK VALUE 260 °C ± 5 ° C) SHALL BE FREE OF BLISTERING, GLUE MELTING AND POOR COLOR CHANGE (DEFORMATION WITHIN TOLERANCE)

7. OPERATING TEMPERATURE: -40°C~+85°C

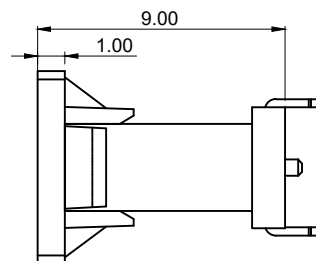


RECOMMENDED P.C.B. LAYOUT (T:1.00mm)

TOLERANCE UNSPECIFIED ±0.05mm



吸取盖示意图



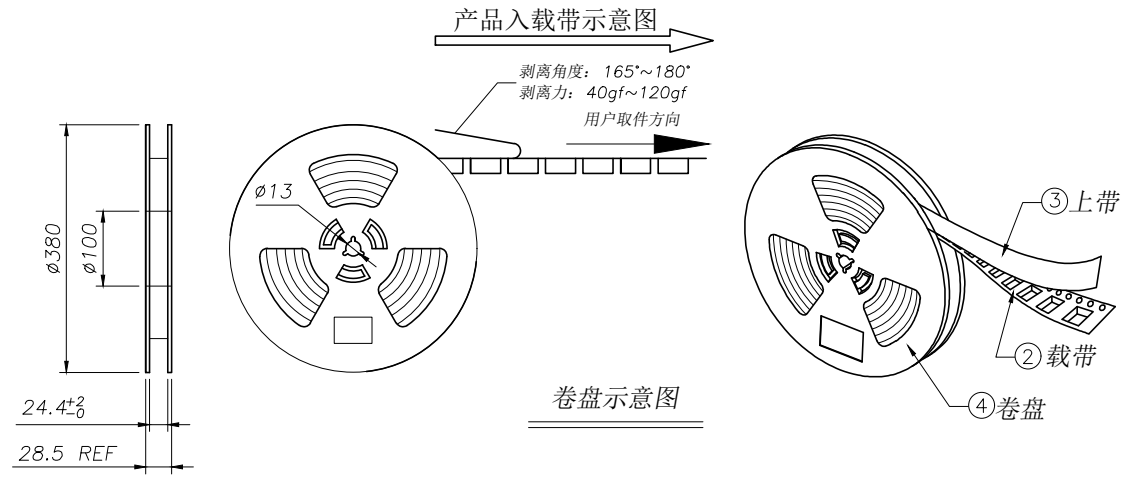
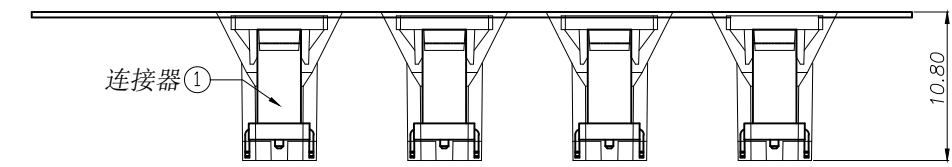
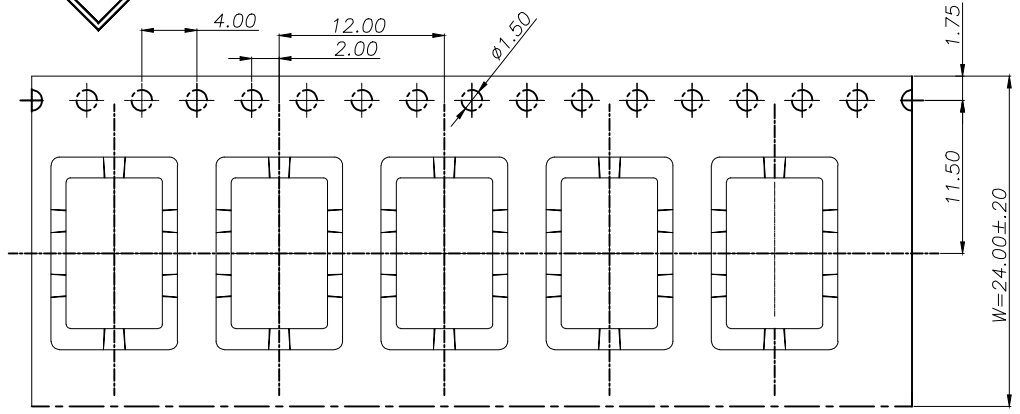
A1	GND	B12	GND
A4	VBUS	B9	VBUS
A5	CC1	B7	Dn2
A6	D+	B6	Dp2
A7	D-	B5	CC2
A9	VBUS	B4	VBUS
A12	GND	B1	GND
PIN	SIGNAL NAME	PIN	SIGNAL NAME

CUSTOMER DRAWING		
UNITS mm	SCALE 1:1	SHEET 1 OF 2
PROJECTION: 	DRAW: DAP	
GENERAL TOLERANCE X. ±0.25 X.x ±0.20 X.xx ±0.15 X.xxx ±0.10 ANGLES ±2°	CHECK: HWT	DWG. NO. A031417A
	APPD: HHM	

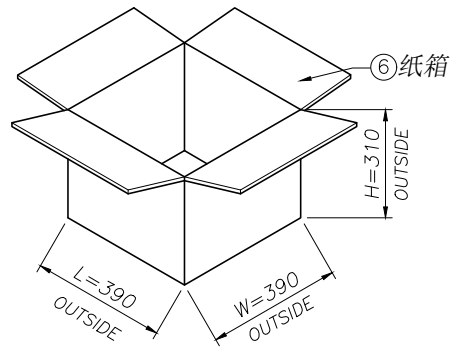
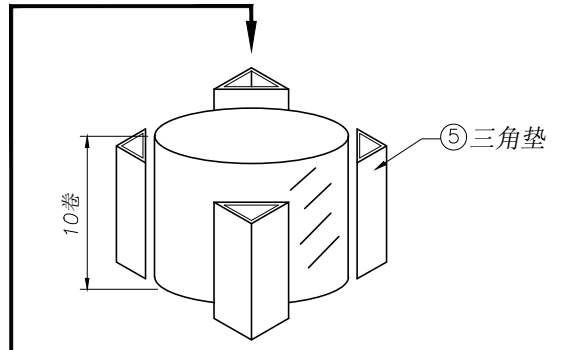
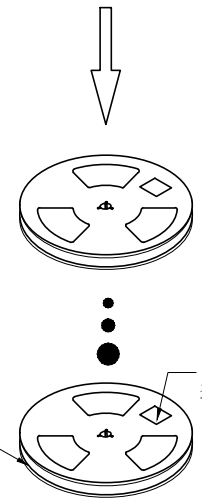
铭创科技 (东莞) 有限公司 Mingchuang Technology (Dongguan) Co., Ltd	
TITLE TYPE C母座14PIN 立式四脚插版 SMT L=8.0	
MAT'L SEE TABLE	FINISH SEE TABLE
PART NO.	SIZE A4



REV	DESCRIPTION	DATE	APPROVED



包装示意图



- 技术要求:
- 载带首尾各留出 10PCS 空格不装产品;
 - 每穴放置 1PCS 产品, 每卷装 700PCS 产品, 放置方式如图所示;
 - 将包装好的产品; 每盘必需贴上内标签; 将贴好内标签的产品每 10 盘堆叠.
 - 在纸箱四角垫上 4 个三角垫, 然后把装好产品的卷盘放入纸箱中, 最后用胶带封箱; (如客户有要求, 请按客户要求包装出货)
 - 上带与载带的剥离力: 40gf~120gf, 跳动量在 30gf 内; (剥离角度: 165°~180°, 剥离速度: 250~300mm/min)
 - 产品符合 RoHS 环保标准要求.

06	纸箱	B-05-0012	390mm*390mm*310mm	1 PCS
05	三角垫	/	300mm*260mm*7mm	4 PCS
04	卷盘	/	D=380mm, d=100mm, H=28.5mm	10 PCS
03	上带	/	W=20.7mm, T=0.05mm	8600 mm
02	载带	B-03-0011	W=24mm, T=0.50mm, P=12.0mm	8600 mm
01	连接器	A031417A	16PIN, DIP	7000 PCS
序号	物料名称	物料编号	规格	描述

CUSTOMER DRAWING		
UNITS mm	SCALE 1:1	SHEET 1 OF 2
PROJECTION: 	DRAW: DAP	
GENERAL TOLERANCE X. ±0.25 X.x ±0.20 X.xx ±0.15 X.xxx ±0.10 ANGLES ±2'	CHECK: HWT	APPD: HHM

铭创科技 (东莞) 有限公司 Mingchuang Technology (Dongguan) Co., Ltd		
TITLE TYPE C 母座 14PIN 立式四脚插板 SMT L=8.0		
MAT'L SEE TABLE	FINISH SEE TABLE	
DWG. NO. A031417A	PART NO.	SIZE A4