

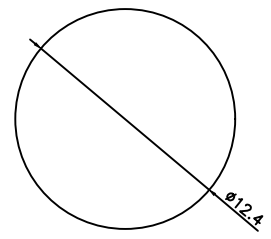
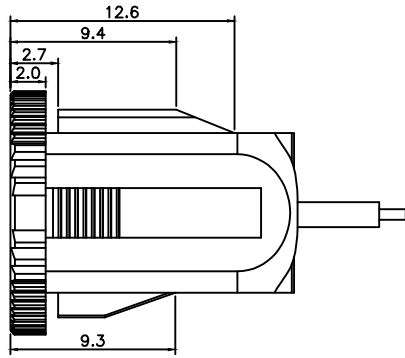
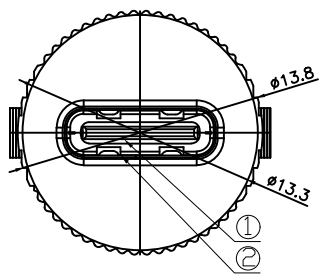
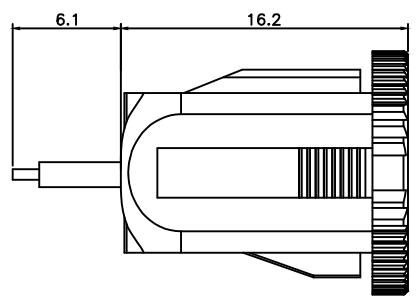
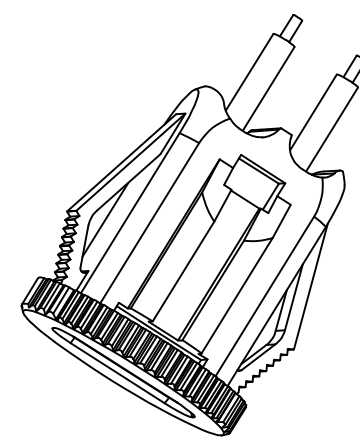
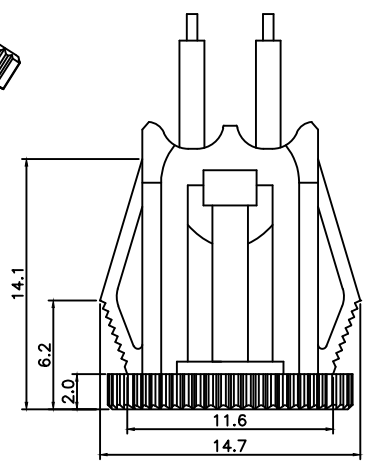
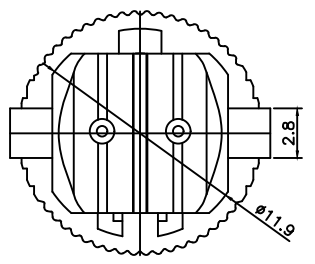
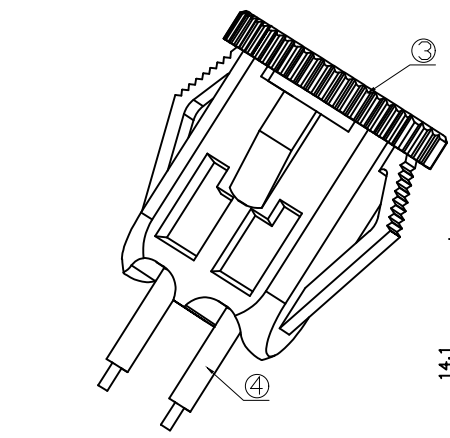
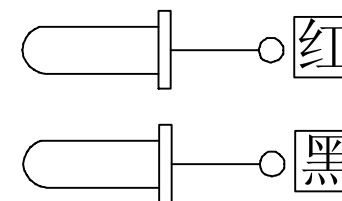


REV	DESCRIPTION	DATE	APPROVED
A	新版发行	2020.11.06	HHM

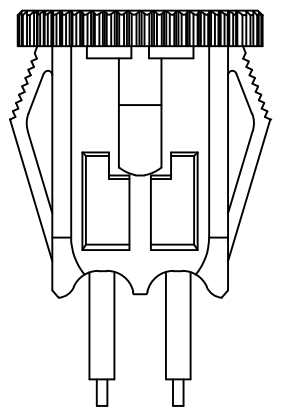
技术要求

1. 插入力: 5-20N(0.5-2.0kgf)
2. 拔出力: 8-20N(0.8-2.0kgf)
3. 接触电阻: 40mΩ MAX
4. 绝缘电阻: 100MΩ MIN
5. 耐电压: AC 250V 1min
无飞弧及击穿
6. 寿命: 10000 10-20次/min
7. 额定负载: DC 12V 0.5-5A
8. 适用温度范围: -25-85° C

线路原理图



T:1.6 Dimensions of PC board holes
Tolerance : ±0.1(Printed-sided view)



CUSTOMER DRAWING			铭创科技(东莞)有限公司 Mingchuang Technology (Dongguan) Co., Ltd.		
UNITS mm	SCALE 1:1	SHEET 1 OF 2	TITLE 防水TYPE-C母座 两芯线 L=16.2 圆形带耳		
PROJECTION: 		DRAW: DAP	FINISH SEE TABLE		
GENERAL TOLERANCE 0. ±0.35 0.0 ±0.25 0.00 ±0.15 0.° ±4° 0.0° ±3°		CHECK: HWT	MAT'L SEE TABLE		SIZE A4
		APPD: HHM	DWG. NO. A010206A	PART NO. _____	